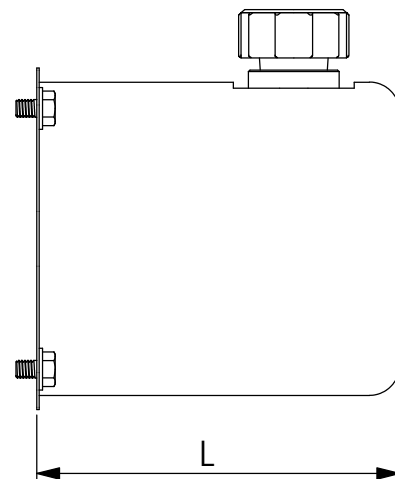
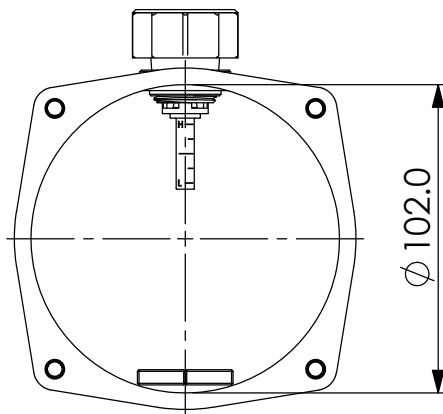
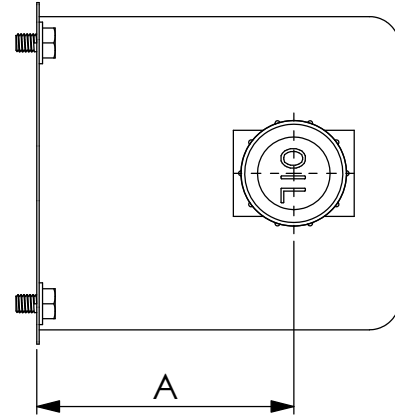
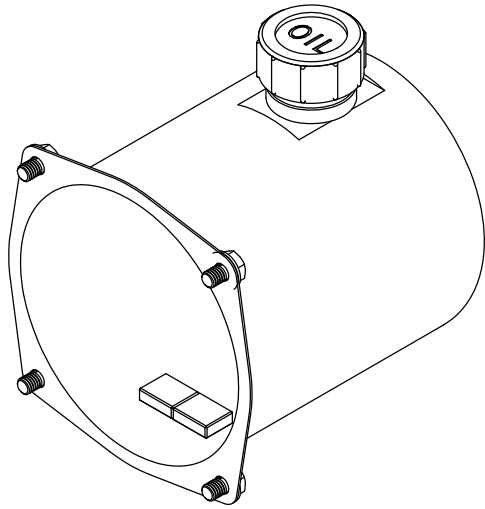


For 115x115 manifold

∅ 102 mm



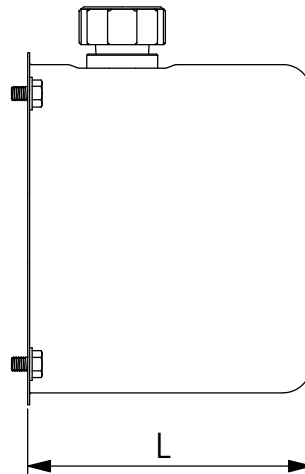
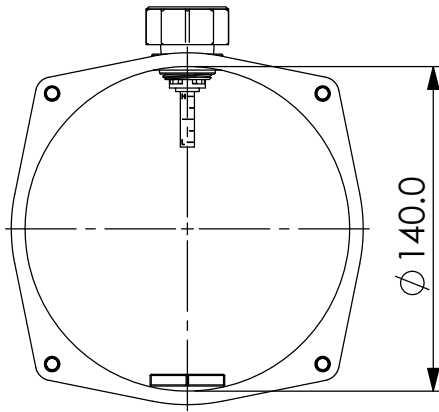
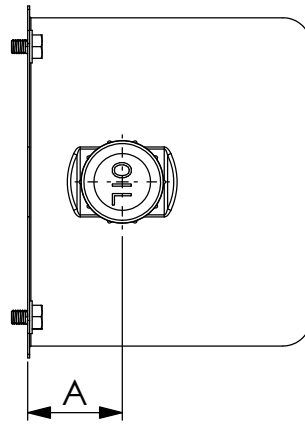
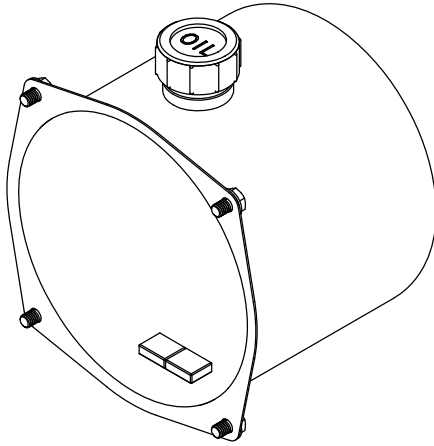
Unit : mm

Ordering Code	L (mm)	A (mm)	Volume (Liters)
KKAS120RD002	120	85	0.5
KKAS170RD002	170	85	0.8
KKAS200RD002	205	85	1.0
KKAS240RD002	245	85	1.3
KKAS280RD002	285	85	1.7

* If you need the special specification. Please contact us.

For 152x152 manifold

∅ 140 mm



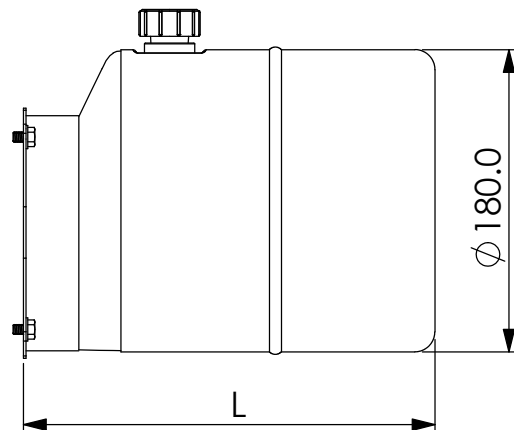
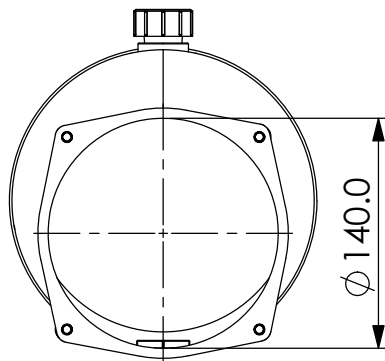
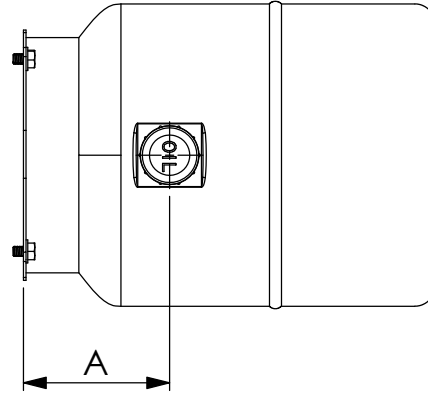
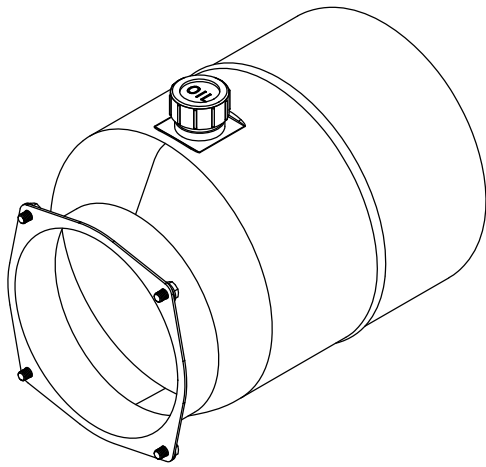
Unit : mm

Ordering Code	L (mm)	A (mm)	Volume (Liters)
KKAM120RD002	120	40	1.0
KKAM170RD002	170	40	1.6
KKAM200RD002	205	40	2.0
KKAM240RD002	245	40	2.4
KKAM280RD002	285	40	2.8
KKAM360RD002	365	40	3.6
KKAM400RD002	405	40	4.2
KKAM440RD001	445	40	4.6

* If you need the special specification. Please contact us.

For 152x152 manifold

∅ 180 mm

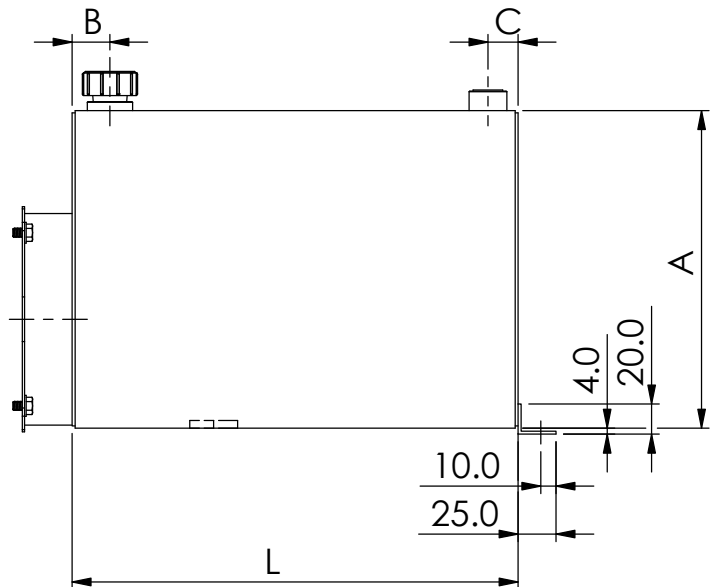
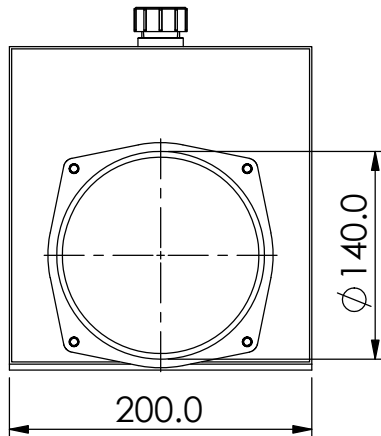
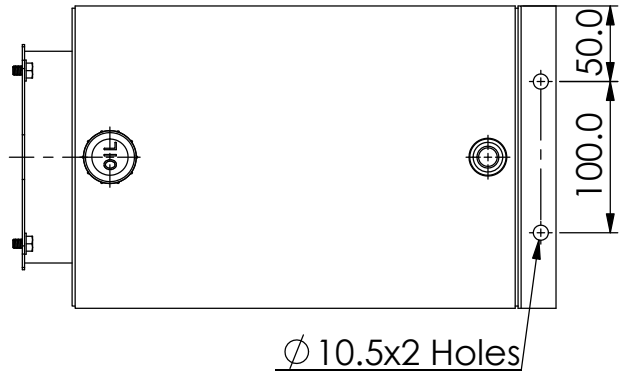
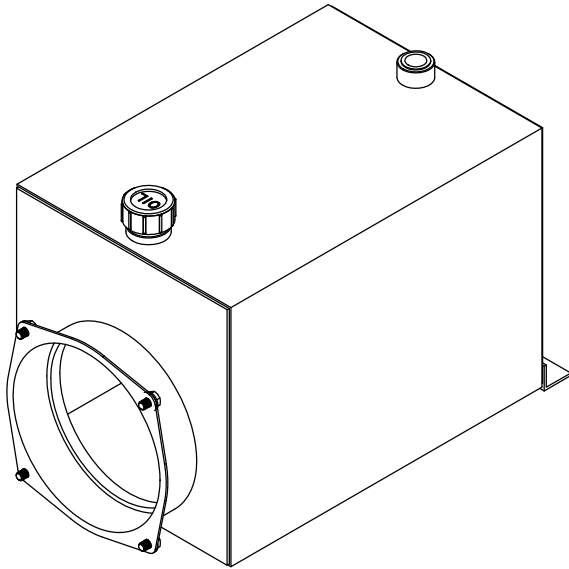


Unit : mm

Ordering Code	L (mm)	A (mm)	Volume (Liters)
KKAL200RD002	205	87	3.0
KKAL240RD002	245	87	4.0
KKAL280RD002	285	87	5.0
KKAL320RD002	325	87	6.0
KKAL360RD002	365	87	7.0
KKAL400RD002	405	87	8.0
KKAL440RD002	445	87	9.0

* If you need the special specification. Please contact us.

For 152x152 manifold

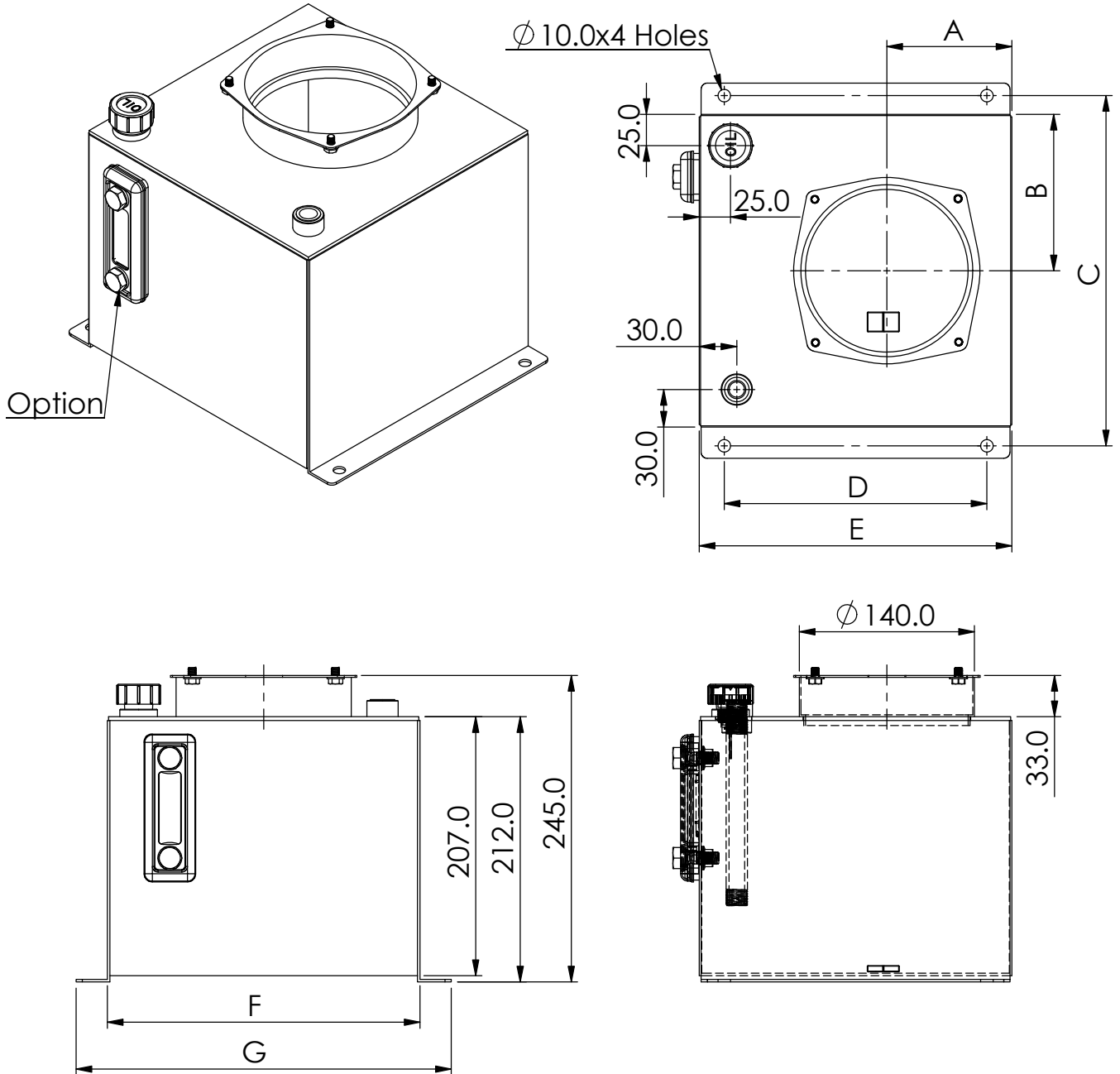


Unit:mm

Ordering Code	L (mm)	A (mm)	B (mm)	C (mm)	Volume (Liters)
KKB100HRD001	295	180	25	20	10 (2.5G)
KKB120HRD002	295	210	25	20	12 (3.0G)
KKB200HRD002	545	210	25	20	20 (5.0G)

* If you need the special specification. Please contact us.

For 152x152 manifold



Unit:mm

Ordering Code	A (mm)	B (mm)	C (mm)	D (mm)	E (mm)	F (mm)	G (mm)	Volume (Liters)
KKB120VGN002	100	125	280	210	250	250	300	12
KKB180VGN002	120	150	330	260	300	300	350	18

* If you need the special specification. Please contact us.